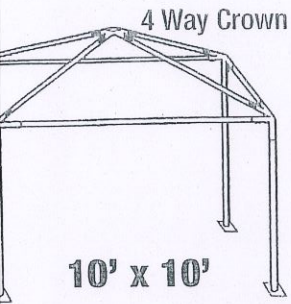




# ECONOMYTENT INTERNATIONAL

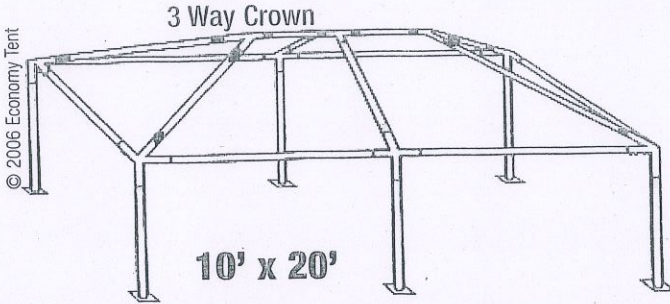
AN **ANCHOR** COMPANY



4 Way Crown

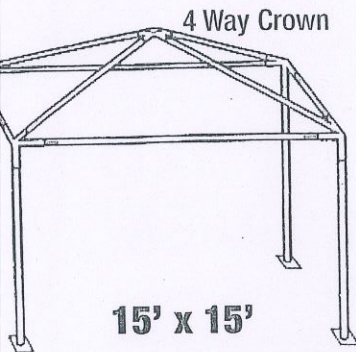
10' x 10'

© 2006 Economy Tent



3 Way Crown

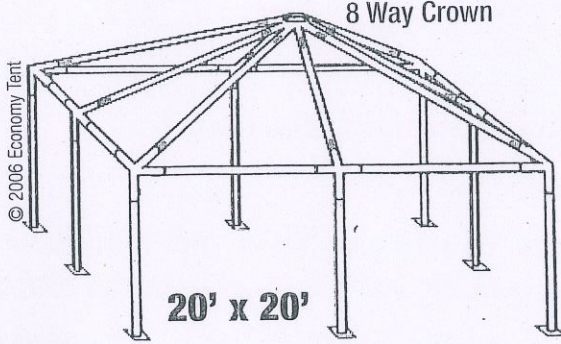
10' x 20'



4 Way Crown

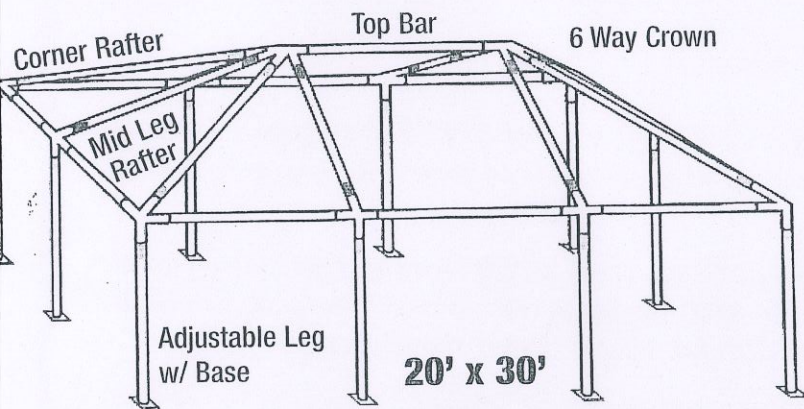
15' x 15'

© 2006 Economy Tent



8 Way Crown

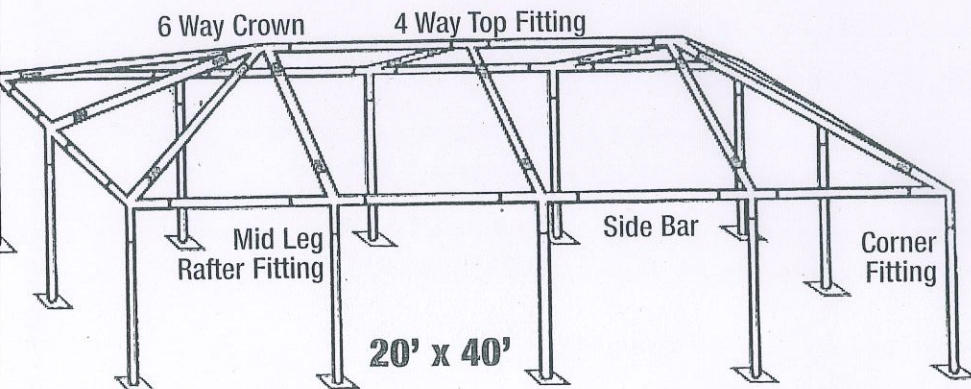
20' x 20'



Top Bar

6 Way Crown

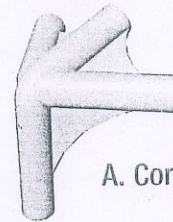
20' x 30'



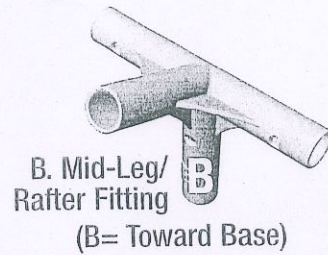
6 Way Crown

4 Way Top Fitting

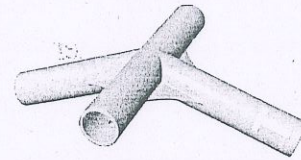
20' x 40'



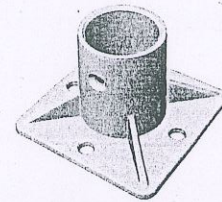
A. Corner Fitting



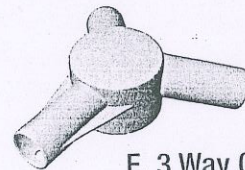
B. Mid-Leg/  
Rafter Fitting  
(B= Toward Base)



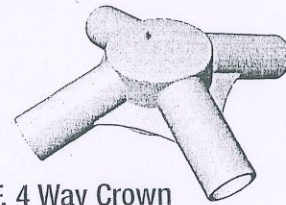
C. 4 Way Top Expansion  
(T= Top Fitting)



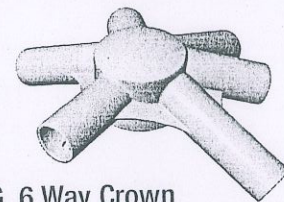
D. Adjustable Leg  
with Base



E. 3 Way Crown



F. 4 Way Crown



G. 6 Way Crown



H. 8 Way Crown  
(M=Toward Mid-leg  
C=Toward Corner)



# Trio® Frame System

*Traditional, Tension & High-Peak*

## ASSEMBLY INSTRUCTIONS

*Please verify the parts with the chart provided before you begin assembly.  
Boxes and Bundles are labeled for easy identification.*

### ASSEMBLY STEPS:

1. Place the side bars in a square or rectangle on a flat surface. (NOTE: Color coding on Frame Parts List.)
2. Place corner fitting in each corner.
3. For tents over 15' place the mid-leg/rafter fittings between the side bars at 10' intervals with the letter B toward the base.
4. Slide the side bars into the corner fittings until the snap buttons engage. Next, attach the side bars to the mid-leg/rafter fittings. Be sure the snap buttons engage. (NOTE: The indentation on the tubing is used to assist in aligning the snap button to the hole on the fitting)

*The perimeter of your unit is now assembled.*

5. Slide a corner rafter into each corner fitting until the snap buttons engage.
6. Install the top crown on the corner rafters in opposite pairs.

**IMPORTANT: For the 20' x 20' crown, be sure the shorter fitting stubs are pointed toward the corners (C). The longer stubs on the crown align with the mid-leg/rafter fittings (M).**

7. For tents over 15', slide a mid-leg/rafter into the top fitting first then into the corresponding mid-leg/rafter fitting. The perimeter of the frame is designed to flex sufficiently to make this step easy. Repeat this step for each remaining mid-rafter. Remember to work in opposite pairs.

*The upper structure is now complete.*

8. Place the cover on the frame. Be sure to center the cover while the upper structure is still on the ground. (High-Peak covers: After the cover is loosely on the frame, place the mast through the hole in the center of the cover and secure the mast to the top crown.)
9. Lift one side of the tent and attach two adjustable legs (with base plates) in their lowest position in each corner. Repeat for the other side. Then attach (if applicable) the remaining legs in each mid-leg/rafter fitting, also in the lowest position. (It is recommended two persons be available when lifting the frame to install the legs.)
10. For Traditional Covers. With the tent legs remaining at their lowest position, the Traditional cover should be attached with the straps and buckles. Start by securing one corner and then the opposite corner. Once the corners are secure, the straps should then be tightened. Over-tightening the straps can damage the cover.
11. Raise the frame to desired height until the snap buttons engage.
12. For Tension or High-Peak Covers. After the tent legs are set at the desired height, Tension or High-Peak covers should be secured with the straps and buckles down each tent leg. Make sure each strap is properly tightened.
13. While this unit will stand on its own, it is imperative the tent be secured with ropes/ratchets and stakes or any other appropriate anchoring method. Anchoring from Economy Tent International is optional to our customers.

*We hope you enjoy your Trio® Frame System*